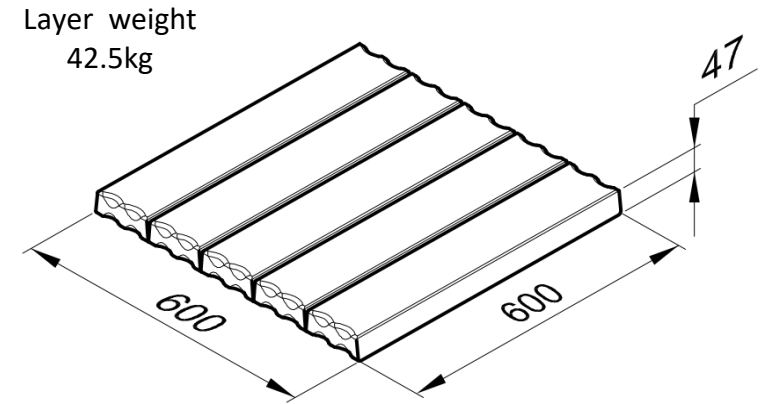
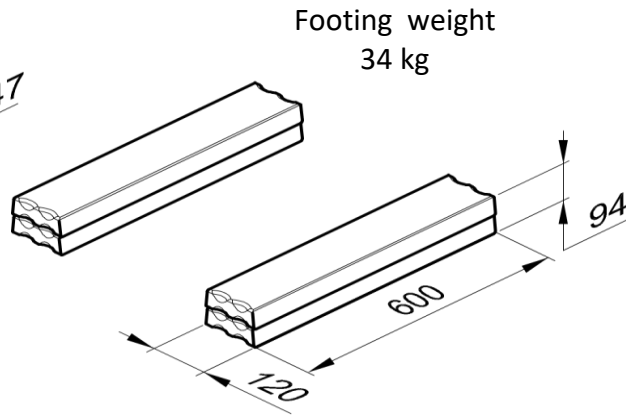
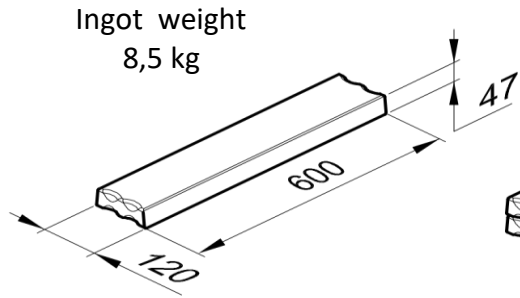
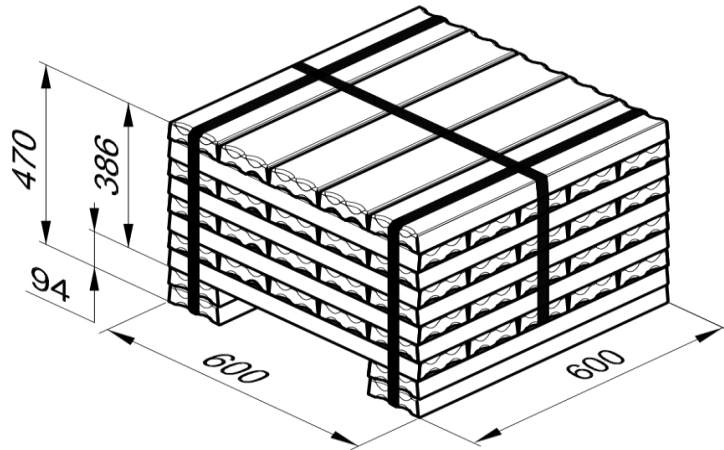


Stack configuration for ingot L=600 – new production line



Stack example



Footing – 34 kg
8 layers – 340 kg
Total – 374 kg

New production line enables stack binding consisting of footing and 19 layers.
Total height of stack will be 19 layers.

Total weight of stack:

Footing – 34 kg
19 layers – 807,5 kg
Total – 841,5 kg +/- 10kg

Two versions of stack footing available for customers:

